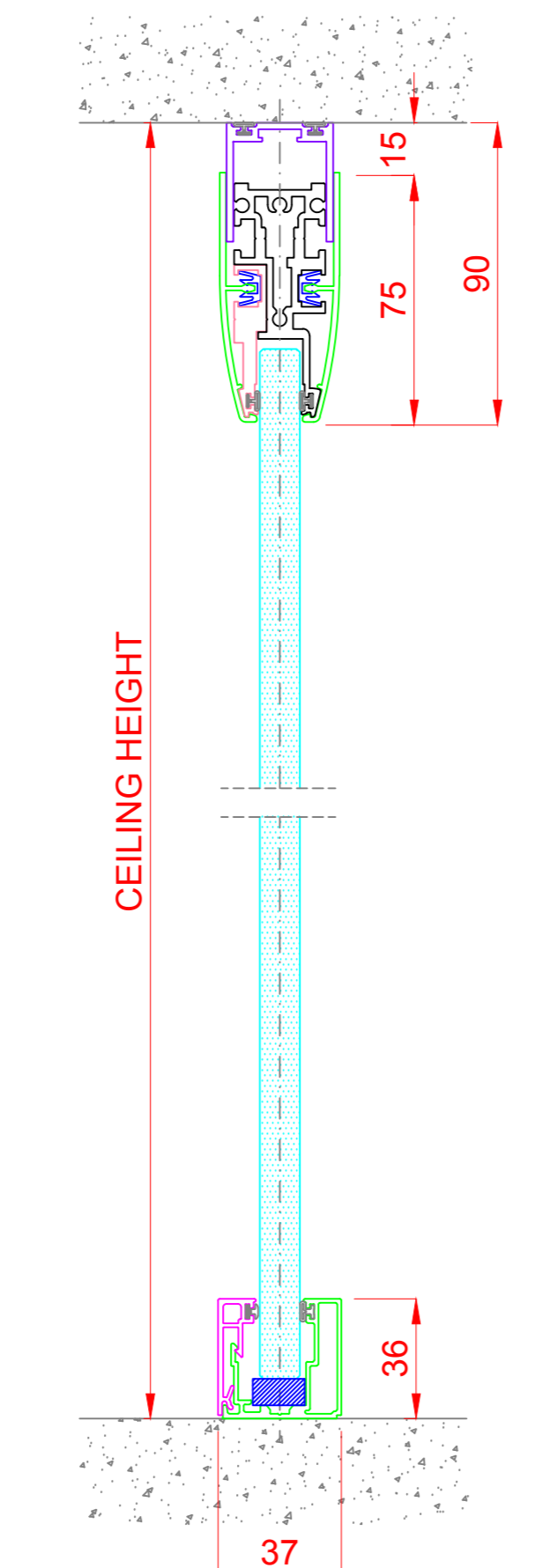
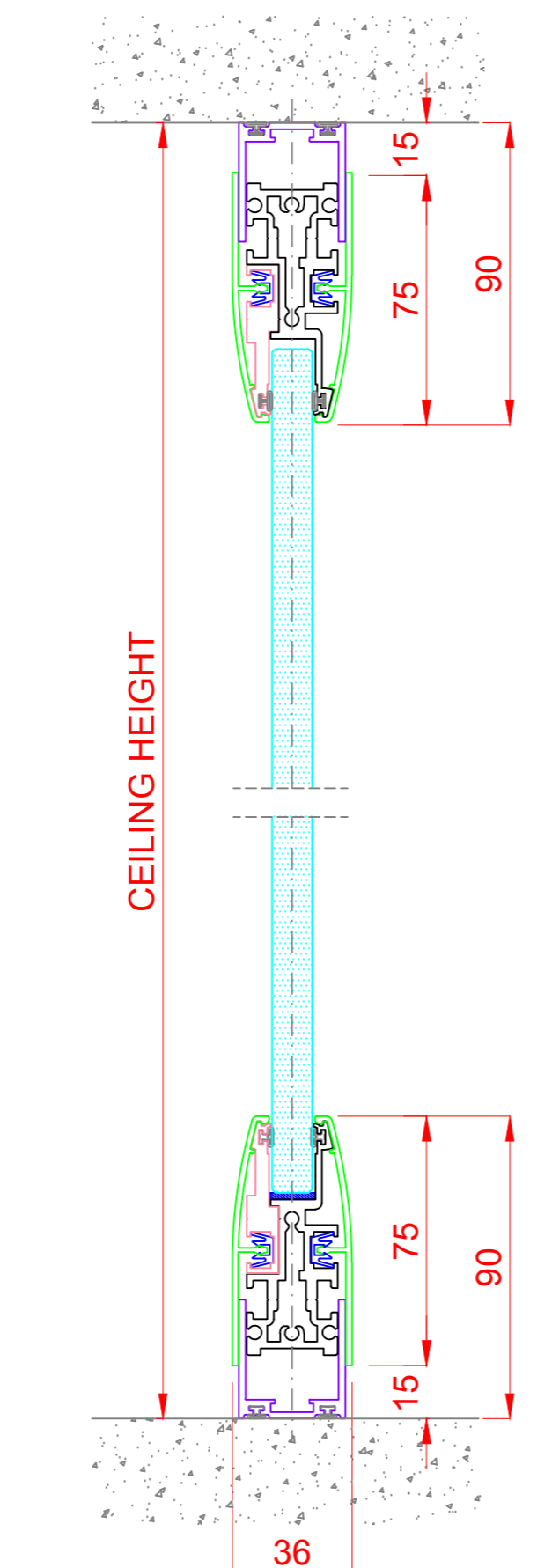


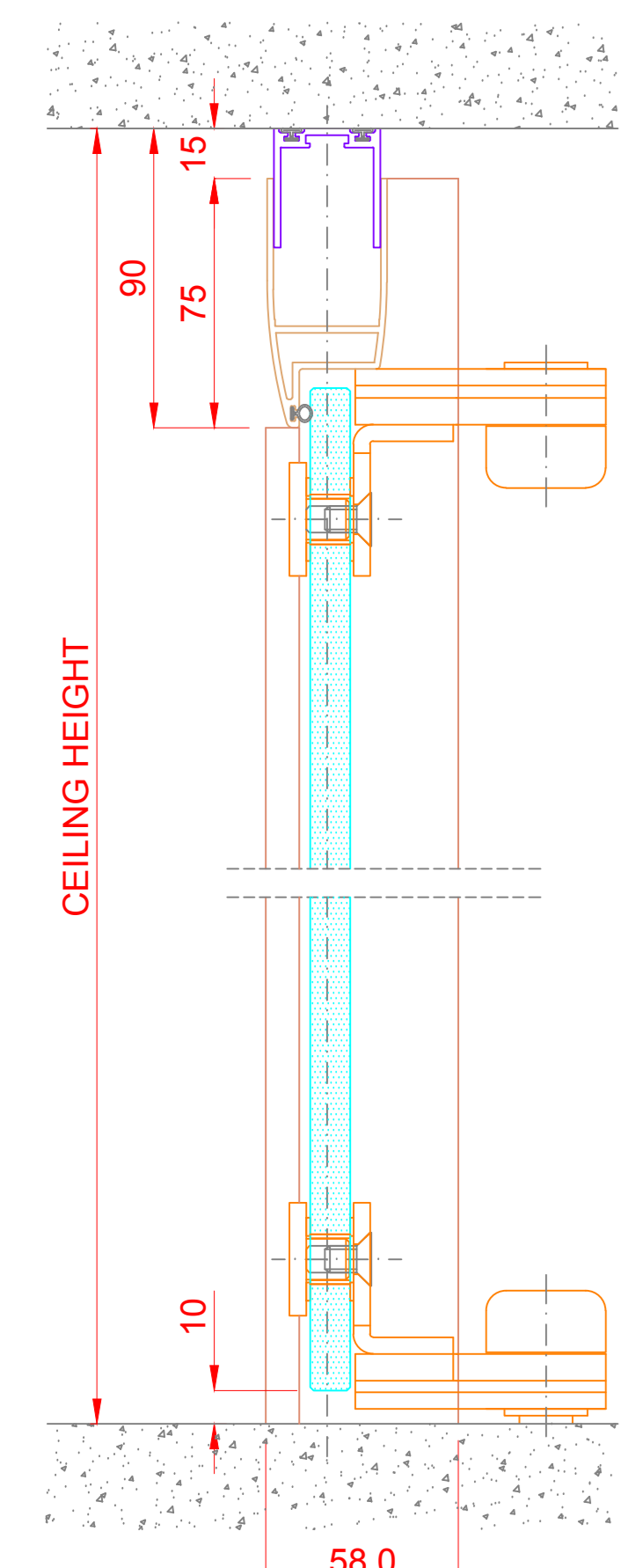
IDEA
SIMPLE FLOOR CHANNEL,
TELESCOPIC CEILING CHANNEL
VERTICAL SECTION



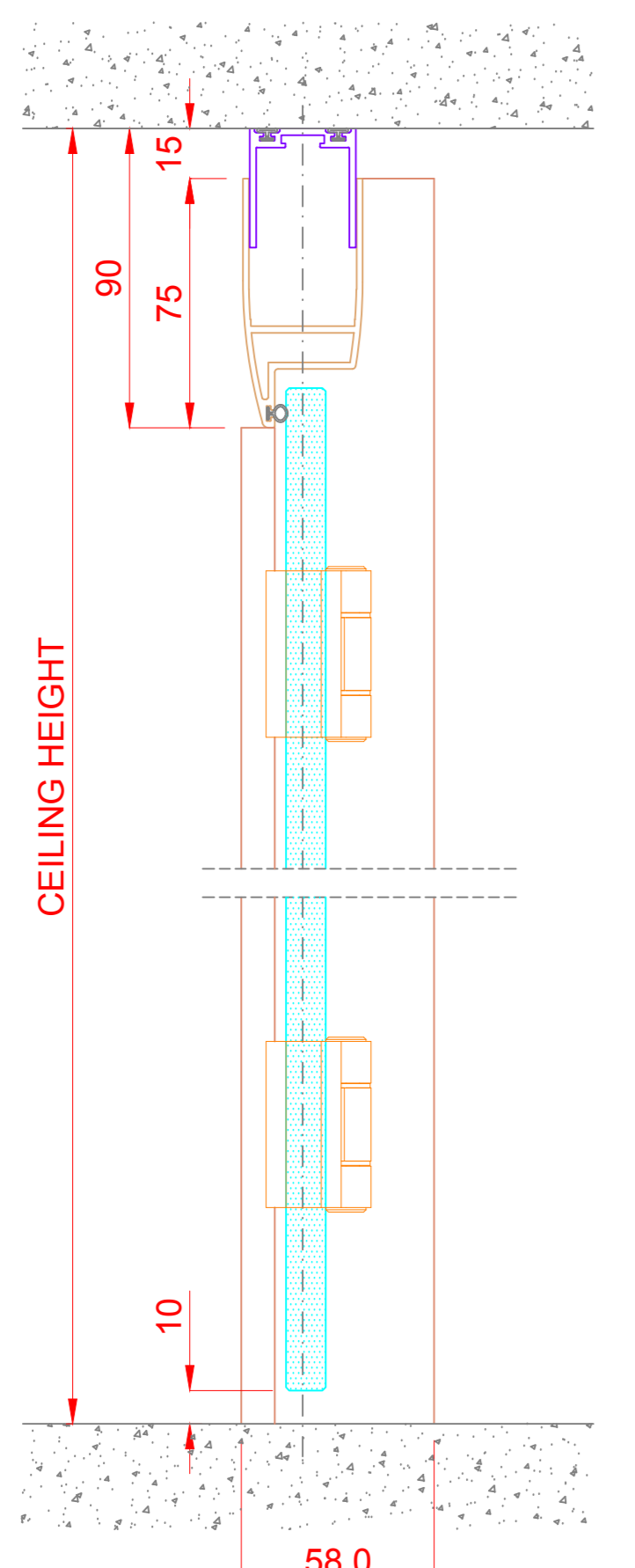
IDEA
SIMPLE FLOOR CHANNEL,
TELESCOPIC CEILING CHANNEL
VERTICAL SECTION



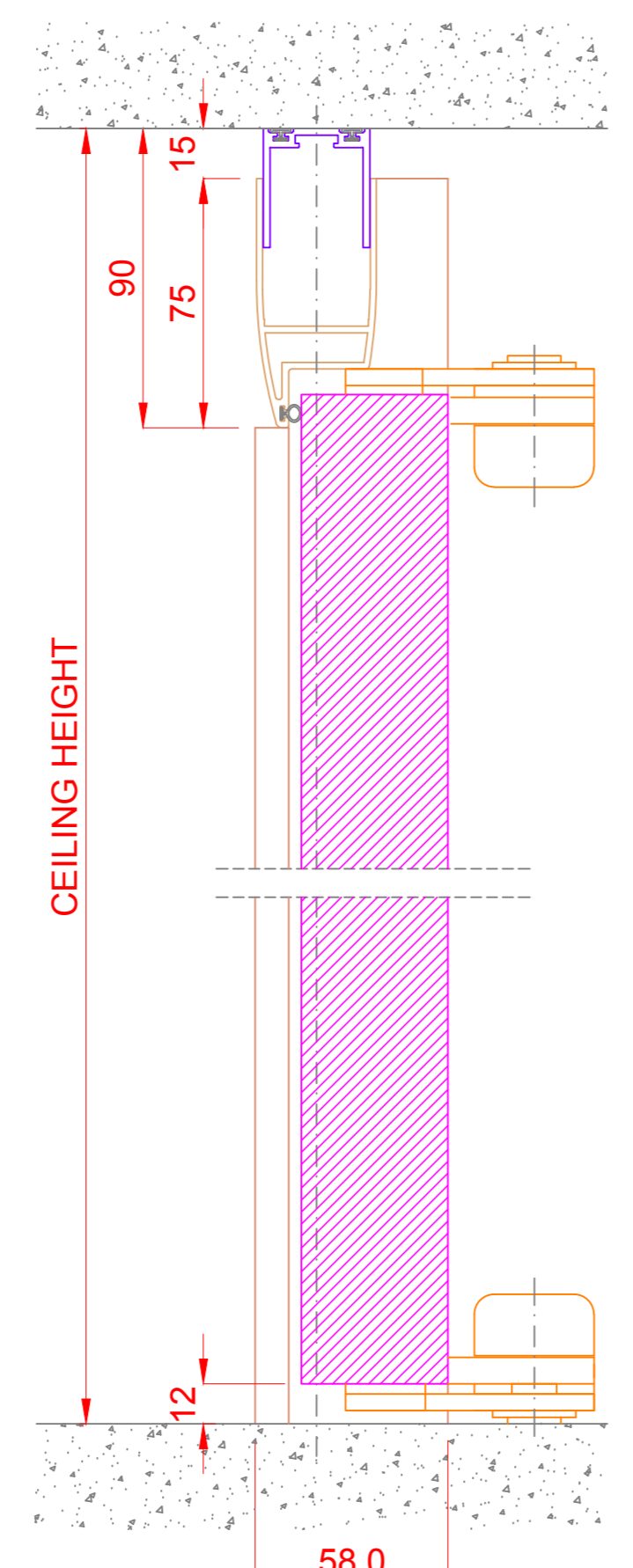
IDEA
FLOOR / CEILING TELESCOPIC CHANNEL
VERTICAL SECTION



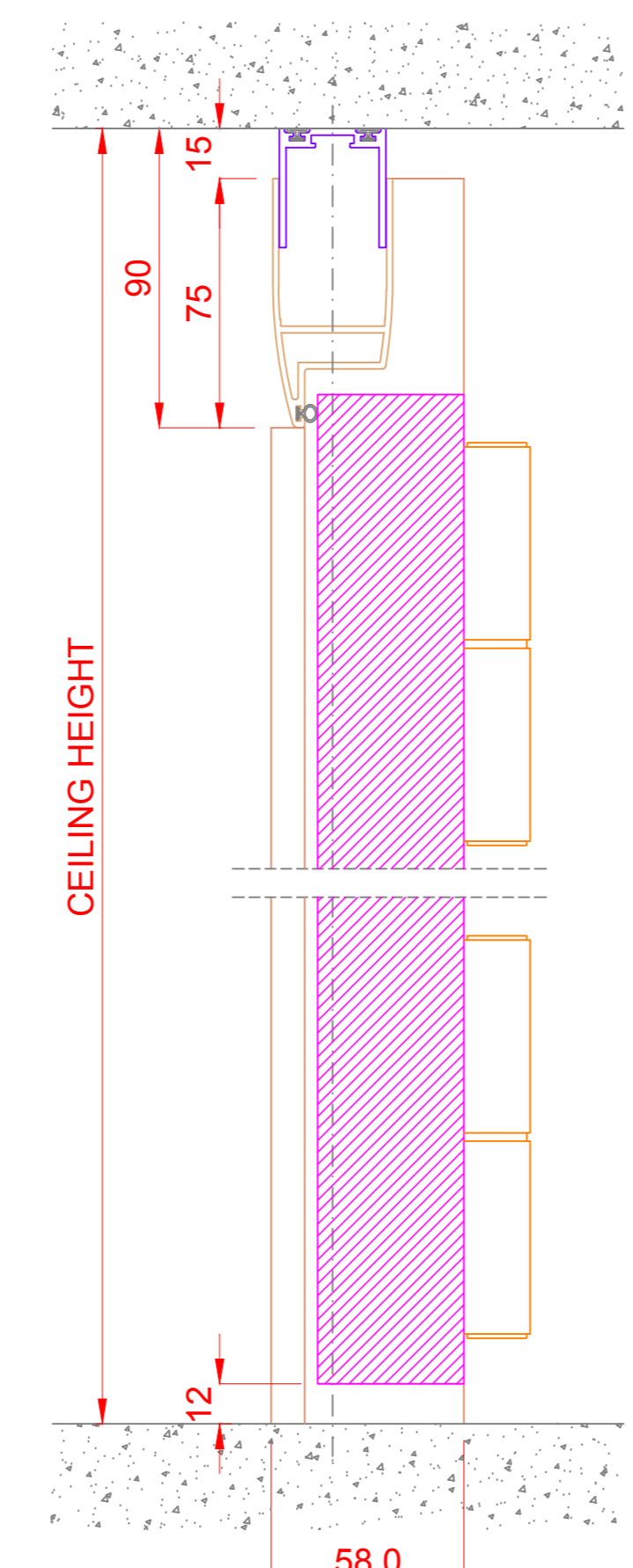
IDEA GLASS DOOR
WITH PIVOT HINGES
VERTICAL SECTION



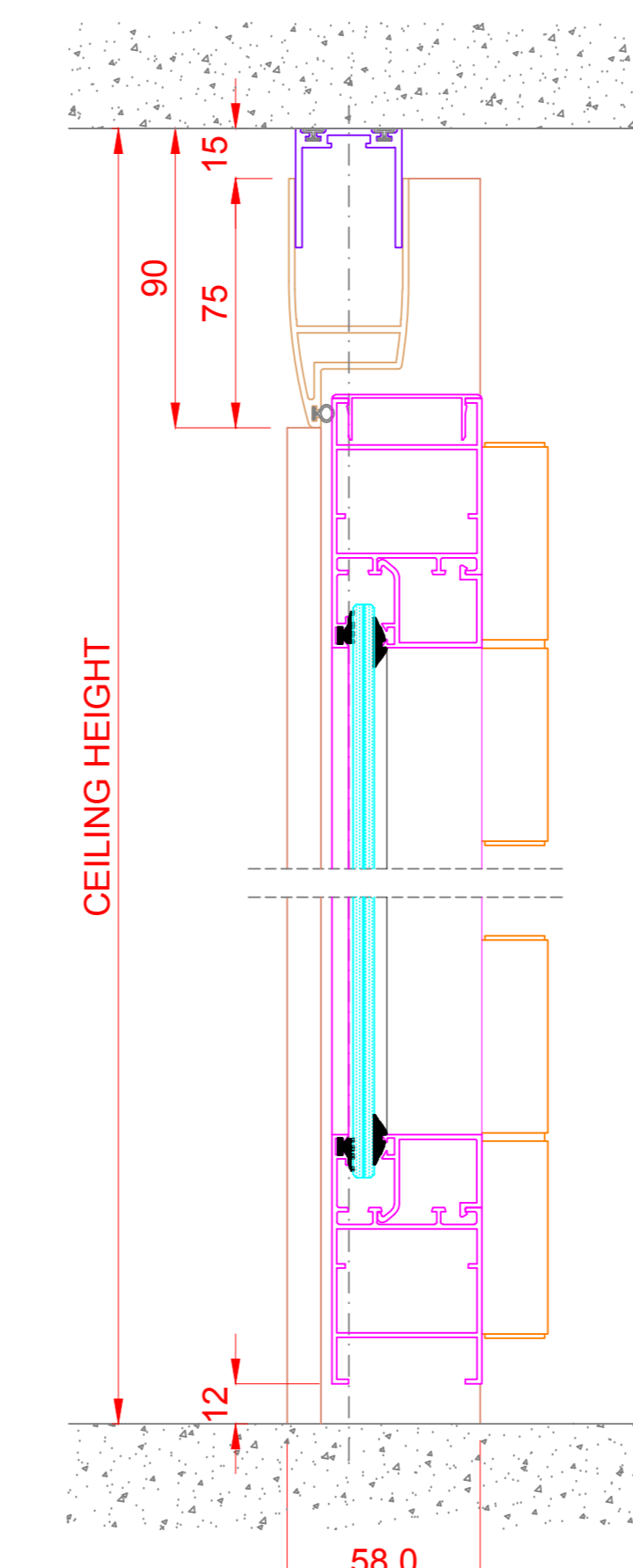
IDEA GLASS DOOR
WITH PIANO HINGES
VERTICAL SECTION



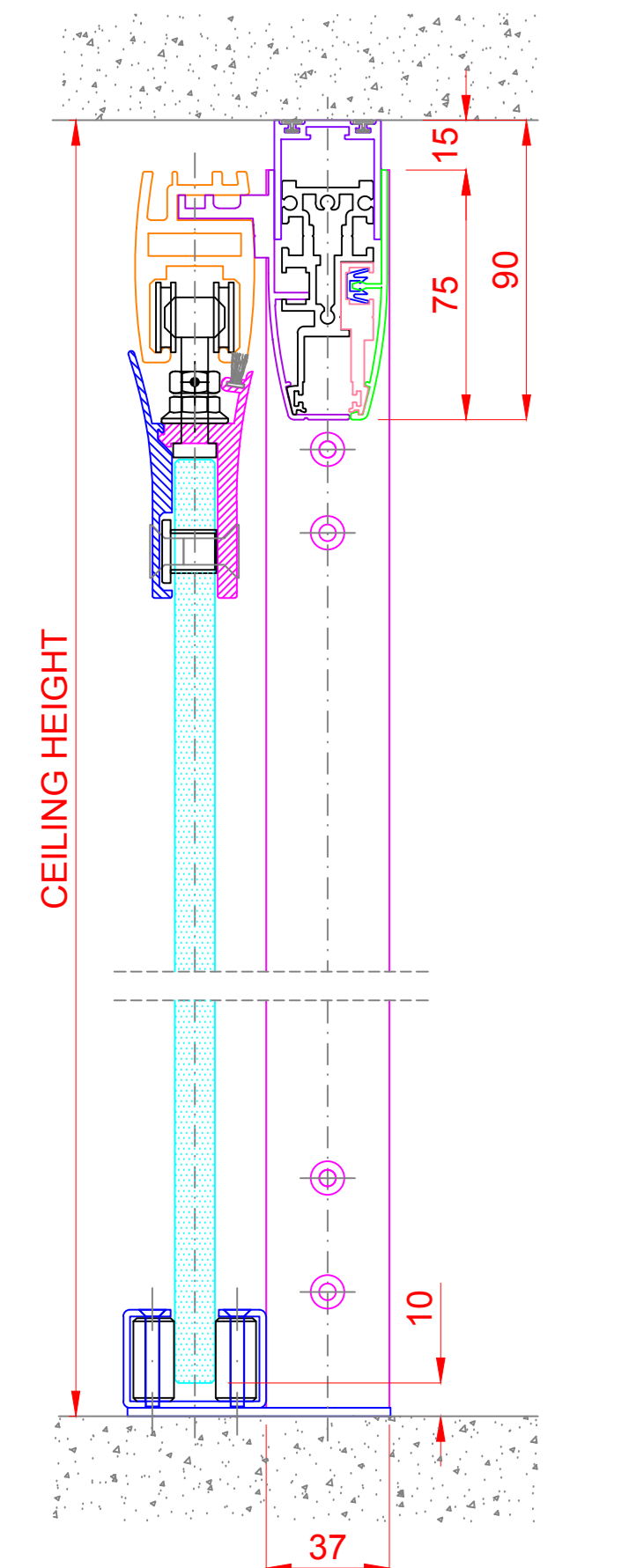
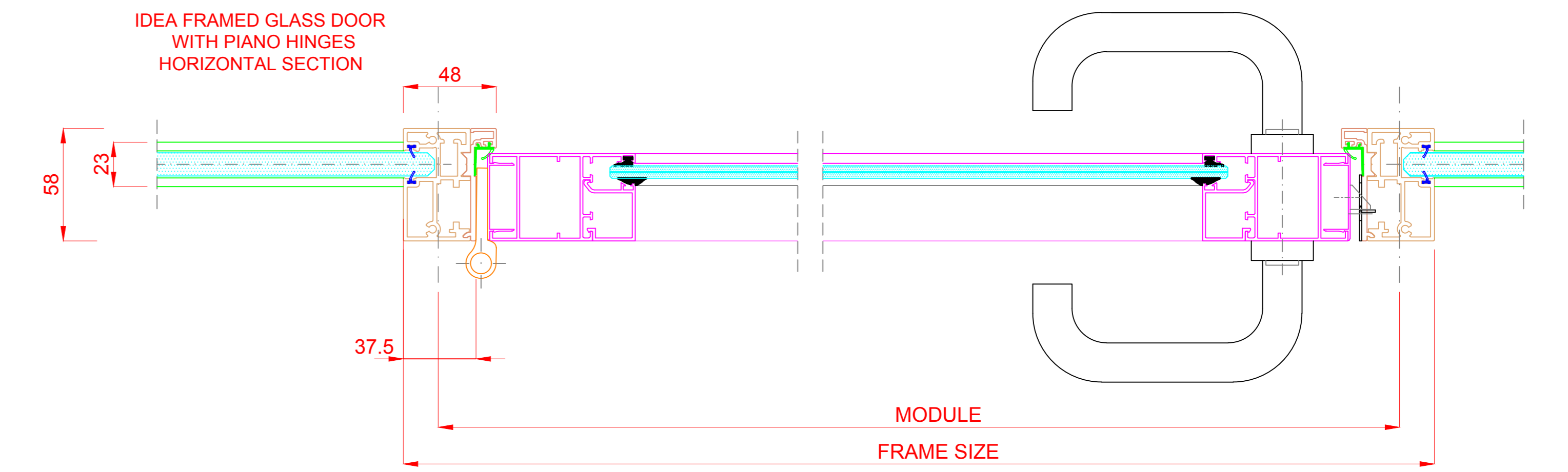
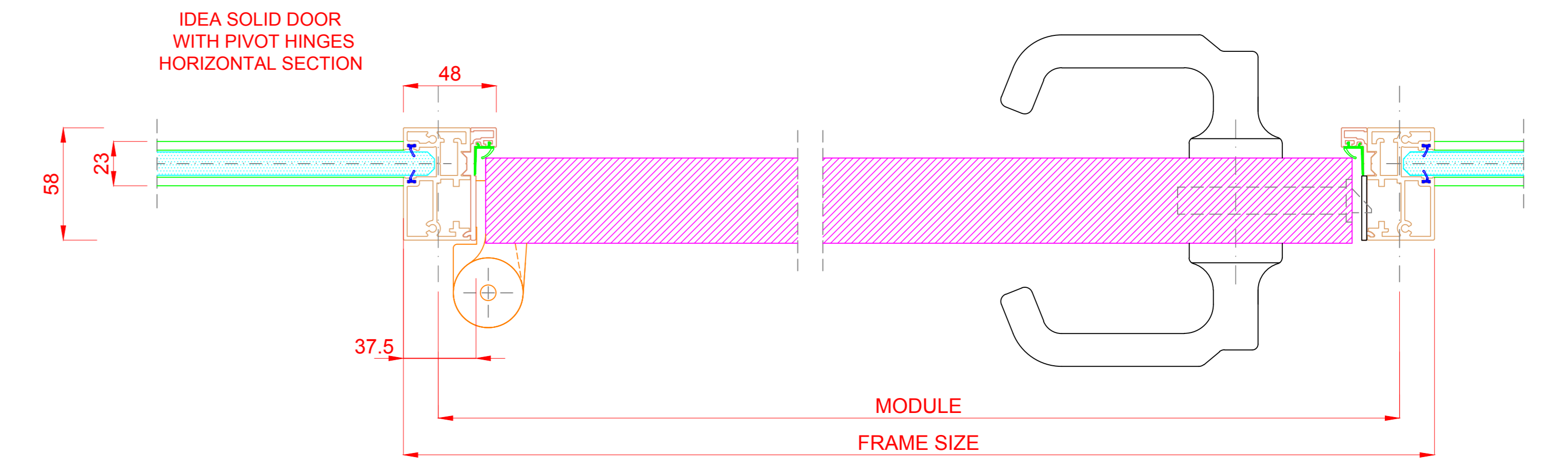
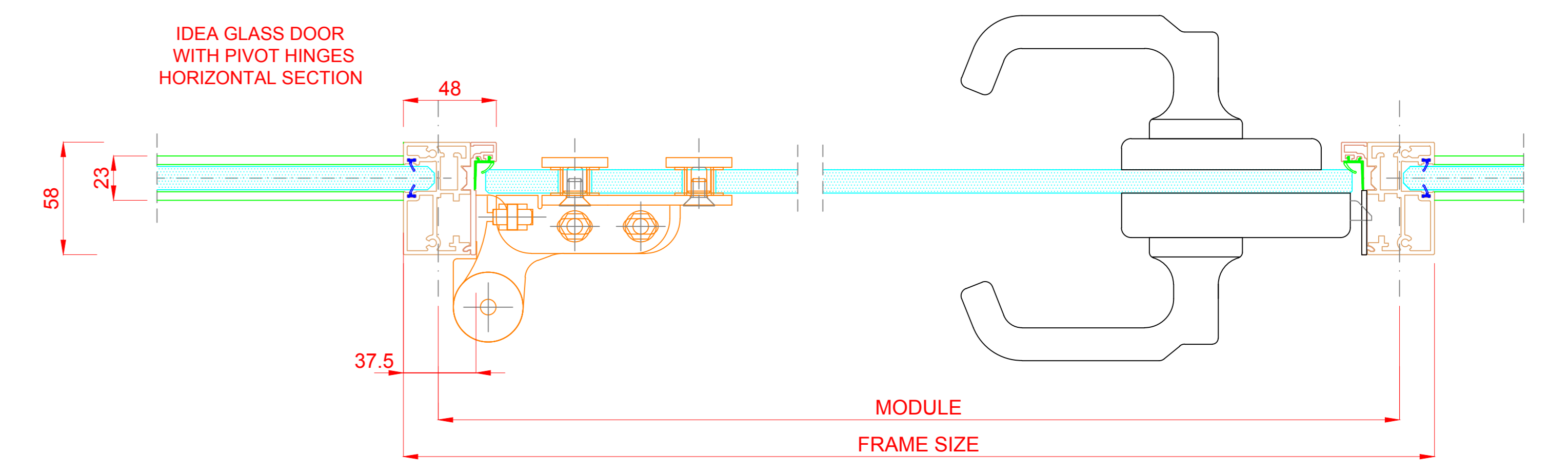
IDEA SOLID DOOR
WITH PIVOT HINGES
VERTICAL SECTION



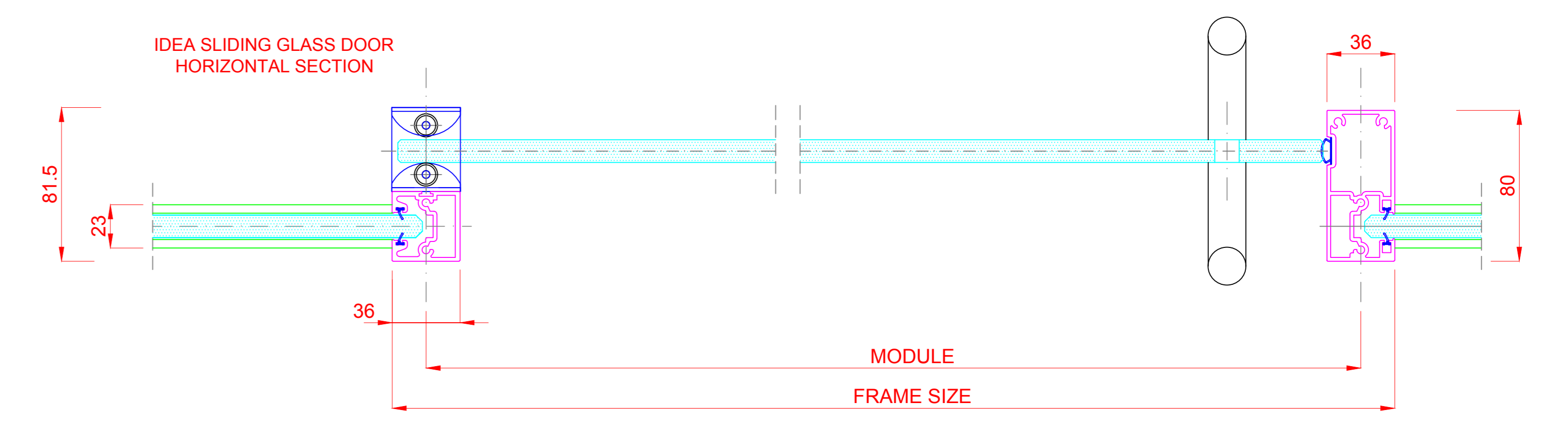
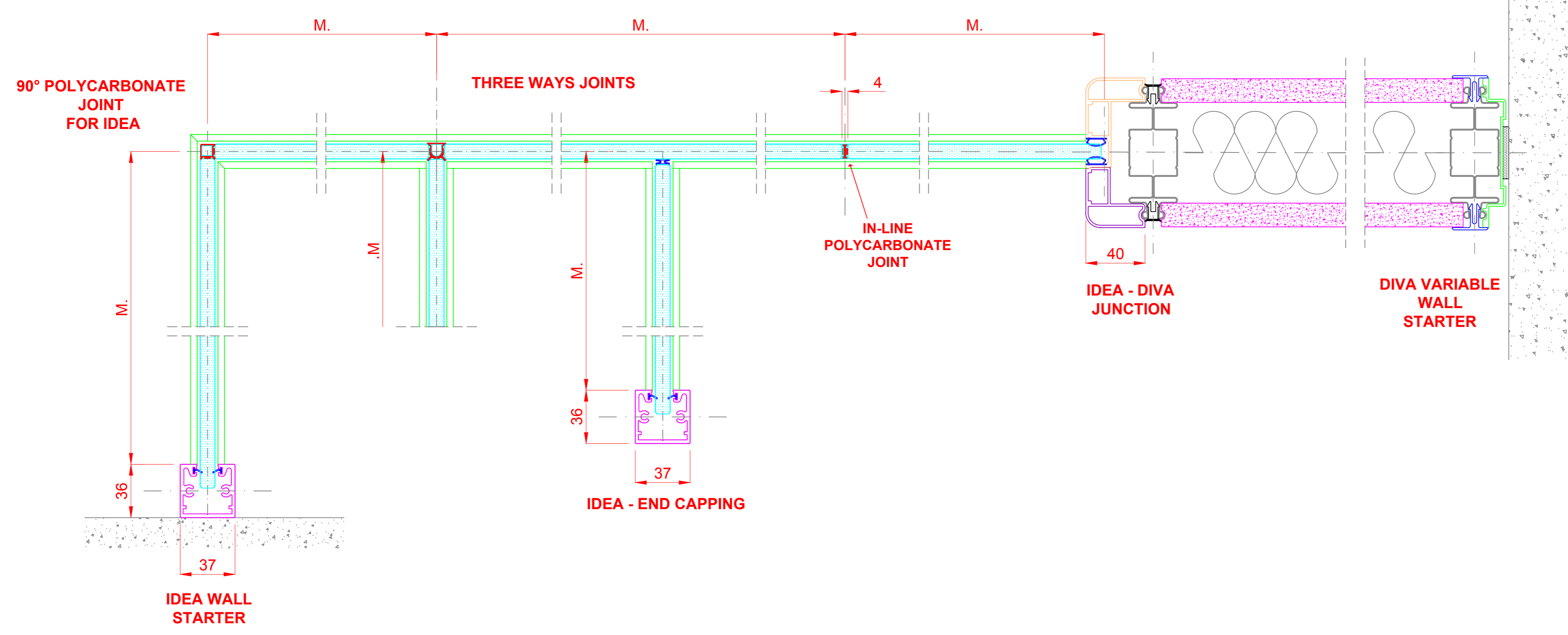
IDEA SOLID DOOR
WITH PIANO HINGES
VERTICAL SECTION



IDEA FRAMED GLASS DOOR
WITH PIANO HINGES
VERTICAL SECTION



IDEA SLIDING GLASS DOOR
VERTICAL SECTION



NORDWALL <i>partitions by Design</i> <small>NORDWALL International Srl Via Galilei, 15 - 35028 Pieve di Sacco (Pd) Italy Tel +39 049 9462 333 Fax +39 049 9462 391 nordwall@nordwall.com www.nordwall.com</small>	N° Disegno:	Data:	Confirma:	Revisione:
	Disegnato:	13/05/2015	Scale:	
Disegnato: Spinello Fabio				
OGGETTO: CONSTRUCTION DETAILS OF IDEA PARTITIONS				
REVISIONI: # # # #	Disegnato: Data:			